

DESCRIPTION: The SiteLink-12 is a 32-bit microprocessor-based communications device that provides an interface for up to twelve Liebert Unit Controllers (IGM's). The SiteLink-12 communicates to either the SiteScan Monitoring System, or a third party software program utilizing a designated open standard protocol (i.e. Modbus or BACnet). This device communicates to the SiteScan Monitoring System via a twisted pair called the ARC156 network through an EIA-485 port at either 156K / 9600 or 38.4kbps baud. It communicates to the third party software monitoring system via a 9-pin DTE male EIA-232 connector (Portal Interface) or at the 5 pin EIA485 port communicating at either 9600bps or 38.4kbps baud. Twelve EIA-422 ports are provided to connect Liebert Information Gathering Modules.

DIMENSIONS: Module: 7 1/2" H x 11 1/4" W
19.05cm H x 28.58cm W

Enclosure: 12"H x 14.25" W x 2.85" D
(Painted steel) 419.1mm x 301.3mm x 78.6mm

See Enclosure Diagrams for mounting options.

POWER: 24VAC ± 10%, 50-60 Hz, 7.2VA power consumption.
(120/24VAC 40VA Transformer available)

ENVIRONMENTAL

OPERATING RANGE: 0° to 130° F (-17.8° to 54.4° C), 10 to 90% relative humidity, non-condensing

COMMUNICATION: CMnet EIA-485 Port - Control Module network screw terminals
Switch selectable baud rates ARC156 / 9600 or 38.4bps
Recommended wire is: MAGNUM Cable pn A3-ARC-156-2

Two (2) Portal Interface – One EIA-232, One EIA-485 2 / 4 wire (for Third Party software selectable baud rate, 9600bps or 38.4kbps)
One (1) Access port (for diagnostics)

Twelve (12) EIA-422 Ports (for Liebert unit connection) - screw terminal

MEMORY: 1024 kB Flash memory and 1024 kB non-volatile battery-backed RAM.

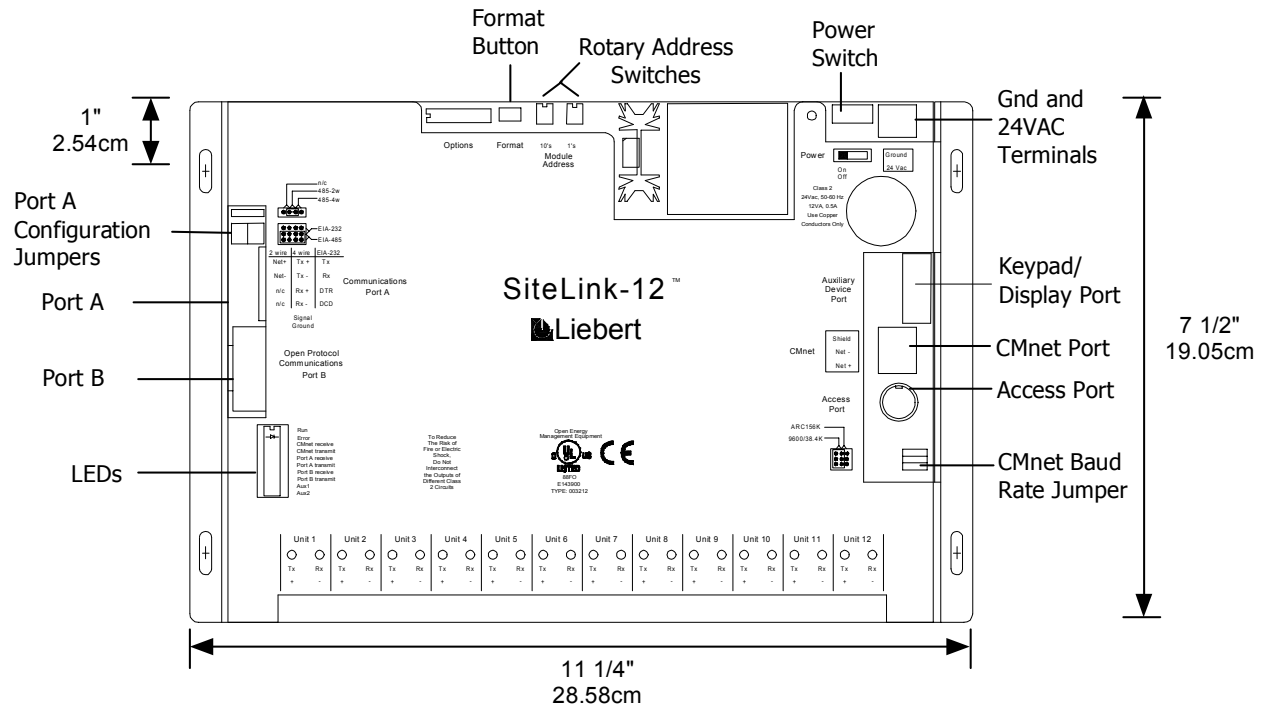
PROTECTION: Voltage, current, and ESD protection on incoming power and ARC156 network

BATTERY: Seven-year lithium battery provides a minimum of 10,000 hours of data retention during power outages.

LISTED: UL 916 (PAZX), cUL C22.2 No. 205-M1983 (PAZX7), FCC Part 15 – Subpart B – Class A.

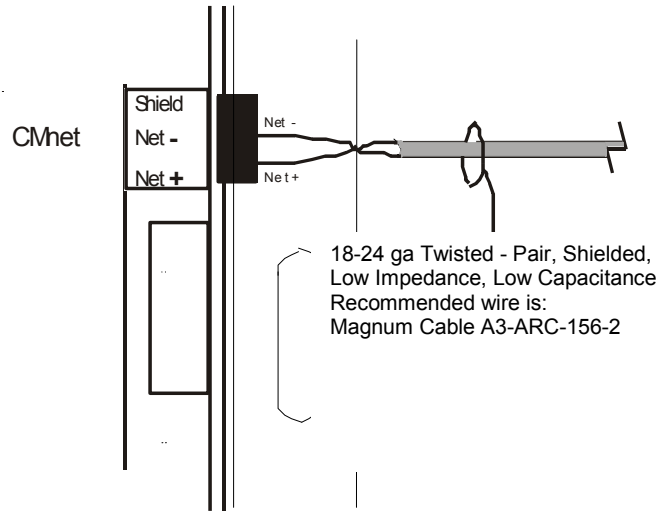
DIAGNOSTIC LED's:

- Power:** lights when power is being supplied to the module.
- Run:** flashes to indicate a normal condition
- Error:** lights when an error is detected
- CMnet Transmit:** lights when the SiteLink-12 transmits data over the ARC156 network
- CMnet Receive:** lights when the SiteLink-12 receives data from the ARC156 network
- Port A Transmit:** lights when the SiteLink-12 transmits data over Port A
- Port A Receive:** lights when the SiteLink-12 receives data from Port A
- Port B Transmit:** lights when the SiteLink-12 transmits data over Port B
- Port B Receive:** lights when the SiteLink-12 receives data from Port B
- Unit (IGM Port) Transmit:** lights when the SiteLink-12 transmits data over an IGM port
- Unit (IGM Port) Receive:** lights when the SiteLink-12 receives data from an IGM port

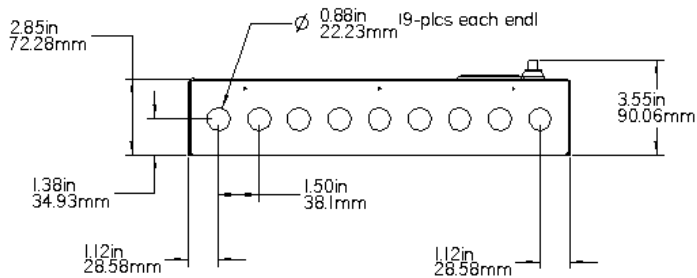
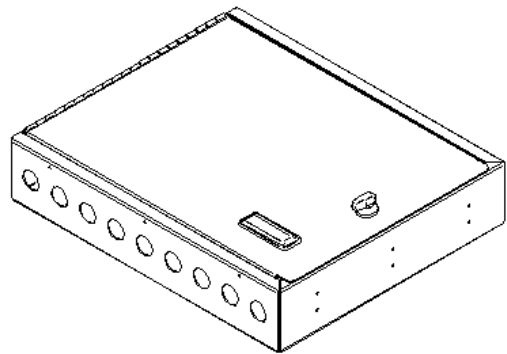
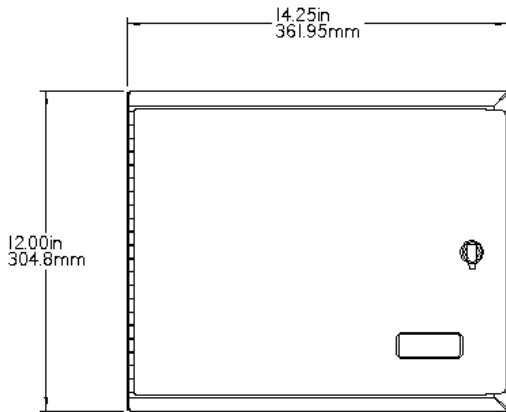


MODULE DIMENSIONS AND LAYOUT

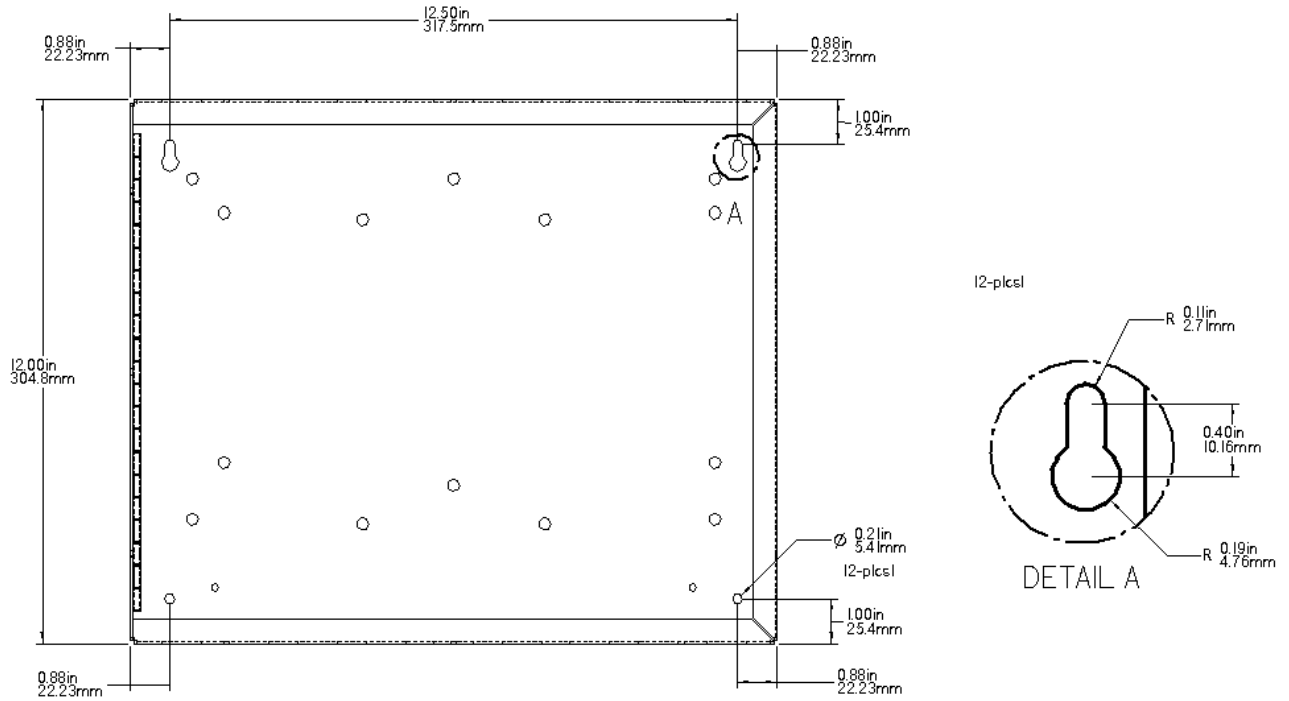
COMMUNICATIONS WIRING DIAGRAM



ENCLOSURE DIMENSIONS



Enclosure Wall Mounting



Enclosure Floor Mounting

